

VITREX F10

SWING DOOR 1 SHUTTER • EI₂ 30 – EI₂ 60

WAITING FOR RATIFICATION

Glass door window in steel with two leafs for internal use with swing functioning. Fire resistant and certified according the UNI EN 1634-1:2014 norm:

FRAME on the 4 sides is made by a strong metallic structure in steel protected to guarantee the maximum fire resistance performance and distinguished by a steel aluminum sheet.

DOOR AND WINDOWS THICKNESS: 80 mm

FIRE RESISTANT GLASS is installed and made of stratified glass with inserted intumescent material.

TERMICAL GUARD: n. 2.

LOCK nocturnal lock to slip with 3 keys.

GASKET rebate cold smoke and perimetral self expanding.

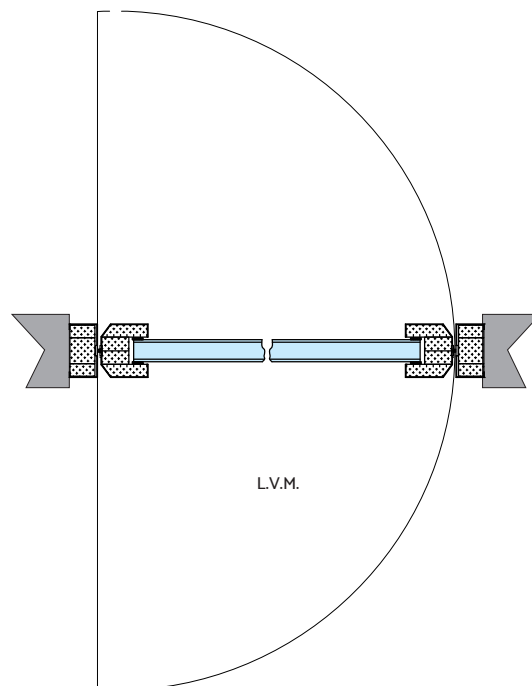
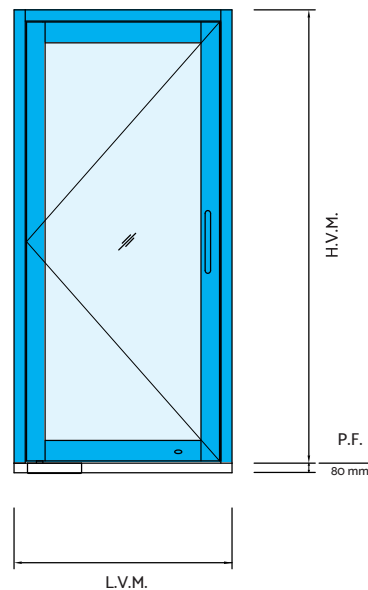
DOOR CLOSING “at floor” suitably sized that allows to the shutter a rotary motion on a vertical axis on both windows sides. The closing action is completely controlled hydraulically and with a pressure compensation equipment for the constant brake.

WINDOWS AND DOOR FINISHING: RAL finishing upon request.

ASSEMBLY dowelled.

AUTOMATION: upon request.

APPROXIMATE WEIGHT: 60/65 kg/mq.



NB: THE INSTALLATION must be done only by highly qualified personnel.

*on precast previously walled-in by the custode

*with nogs.

DIMENSION LIMIT:
FM = 1450 X 2500 mm.

Download this technical sheet
from www.glassfire.it



Every glass window has an identification plate indicating EI₂ classification, certification authority data, producer data, homologation number and progressive number.

VITREX F10

SWING DOORS 2 SHUTTERS • EI₂ 30 – EI₂ 60

WAITING FOR RATIFICATION

Glass door window in steel with two leaves for internal use with swing functioning. Fire resistant and certified according to the UNI EN 1634-1:2014 norm:

FRAME on the 4 sides is made by a strong metallic structure in steel protected to guarantee the maximum fire resistance performance and distinguished by a steel aluminum sheet.

DOOR AND WINDOWS THICKNESS: 80 mm

FIRE RESISTANT GLASS is installed and made of stratified glass with inserted intumescent material.

TERMINAL GUARD: n. 4.

LOCK nocturnal lock to slip with 3 keys.

GASKET rebate cold smoke and perimetral self expanding.

DOOR CLOSING “at floor” suitably sized that allows to the shutter a rotary motion on a vertical axis on both windows sides. The closing action is completely controlled hydraulically and with a pressure compensation equipment for the constant brake.

WINDOWS AND DOOR FINISHING: RAL finishing upon request.

ASSEMBLY dowelled.

AUTOMATION upon request.

APPROXIMATE WEIGHT: 60/65 kg/mq.

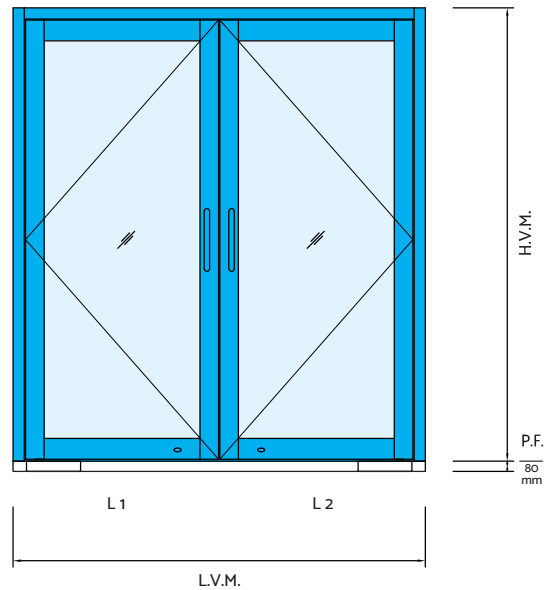


FIG. 1

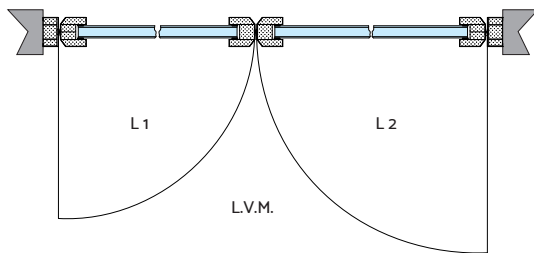
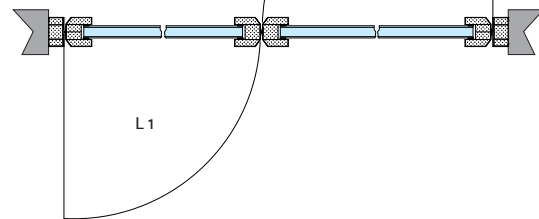


FIG. 2



DIMENSION LIMIT:
FM = (L X H) = 2600 X 2500 mm.

NB: THE INSTALLATION must be done only by highly qualified personnel.
*on precast previously walled-in by the custode
*with nogs.

Download this technical sheet from www.glassfire.it



Every glass window has an identification plate indicating EI₂ classification, certification authority data, producer data, homologation number and progressive number.